



Schlage Modular Cylinder

One cylinder is the foundation for every lock you need.

One cylinder that can drastically reduce your inventory.

One cylinder makes your job easier, faster and more profitable.

Now you can service virtually any lock on any door with just one cylinder. Simply by changing the front and back housing you can convert a single cylinder into multiple types of locks, including mortise, rim and key-in-lever. The revolutionary Schlage modular cylinder will dramatically reduce your inventory because you will only need to stock one cylinder to support virtually any lock.

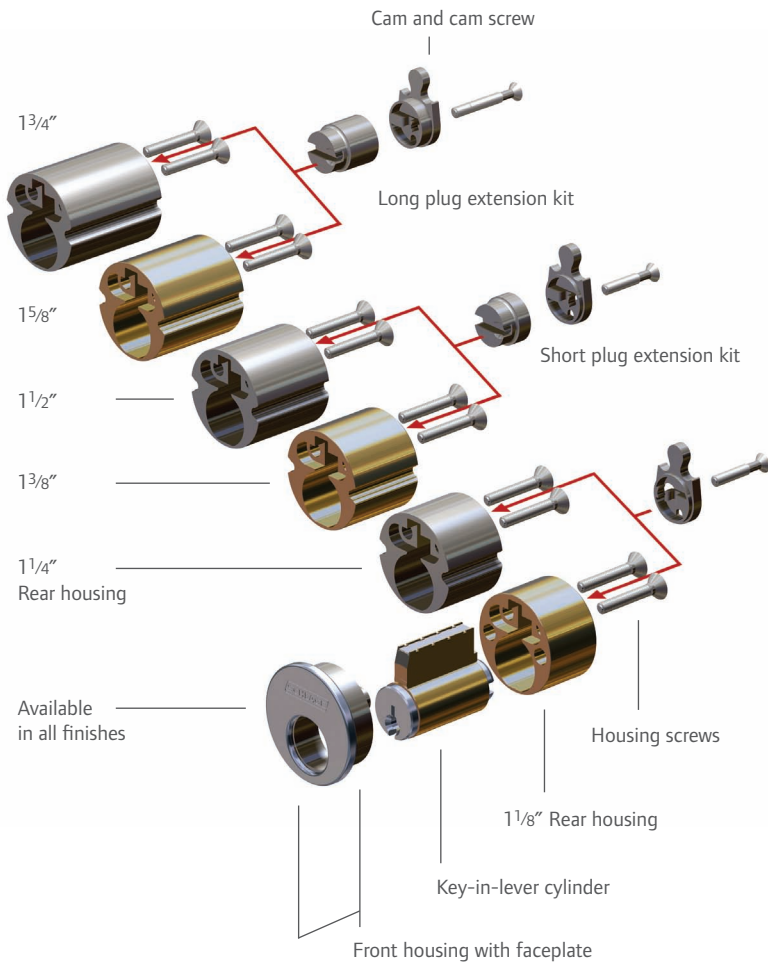
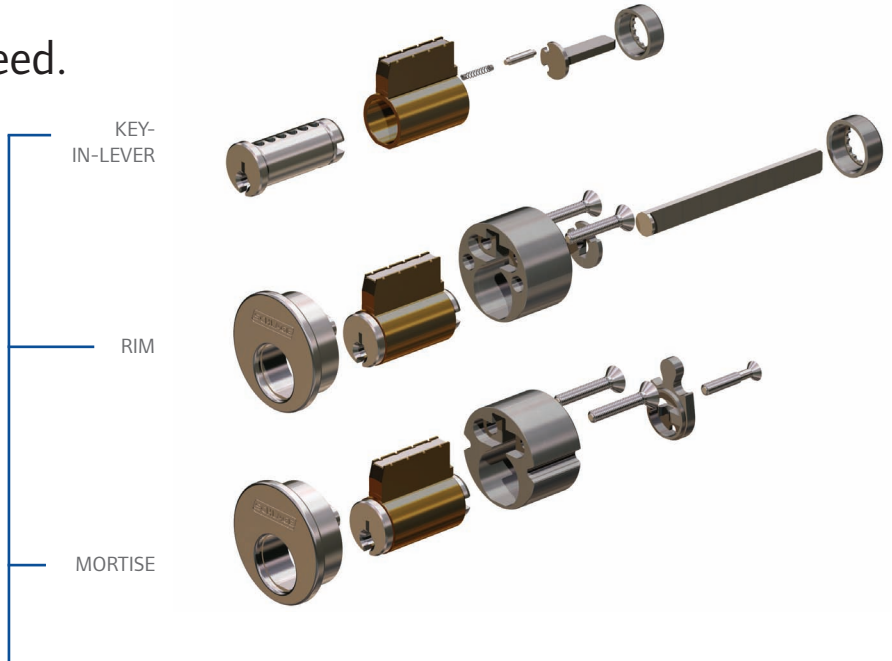
Now, one cylinder changes everything.





Our modular cylinder is the foundation for every lock you need.

- One cylinder converts to three different locks by changing the front and rear housing.
- Easily adjusts to thicker doors with wide range of rear housing sizes.
- Front housing available in all finishes to match the locks.
- Supports interchangeability between Everest®, Primus® XP and Classic key systems.
- Fewer parts required to fill orders means less inventory and lower costs.
- Never be caught on the job without the right part.



One cylinder really does fit all.

Thanks to the extraordinary versatility of the Schlage modular cylinder you'll never be caught on the job again without the right part. You'll be able to assemble virtually any lock on the spot, while providing your customers the same security, toughness and quality that has made Schlage one of the best names in the business.

- Adaptable to mortise, rim and key-in-lever or key-in-knob applications.
- Available in all Schlage keyways, including Everest® and Primus® XP

Front housing finishes



Find out more at www.schlage.com